

MMD-BS Baffle Seal



without length limit

Technical data

„Möller gaskets stand for highest quality at competitive prices. Our quality in baffle seals ensures reproducible sealing properties for you. This guarantees plant safety and availability“.

General Information

MMD-BS type baffle seals are mostly used in container construction, where they seal the gap between shell and longitudinal baffle.

Significant reduction of efficiency losses in heat exchangers can be reached by the proper use of baffle seals. The sealing effect is achieved by 4 spring lamellae, which are arranged in a fan-like manner in the carrier profile.

Quality features of the separating sheet gasket type BS

Like all products of Möller-Metaldichtungen GmbH the baffle seals of the MMD-BS type fulfill our high quality standards.

Regular tests in our laboratory and a production accompanying quality assurance in accordance with the standards the automotive supplier guarantee reproducible quality and longevity of our products.

Standard version

Material of lamellae and carrier:	1.4571
Sheet thickness of the lamellae:	0.2 mm
Sheet thickness of the carrier:	0.5 mm
Baffle width B:	4 - 25 mm
Insertion height H:	20 or 30 mm
Delivery lengths L:	according to customer specification

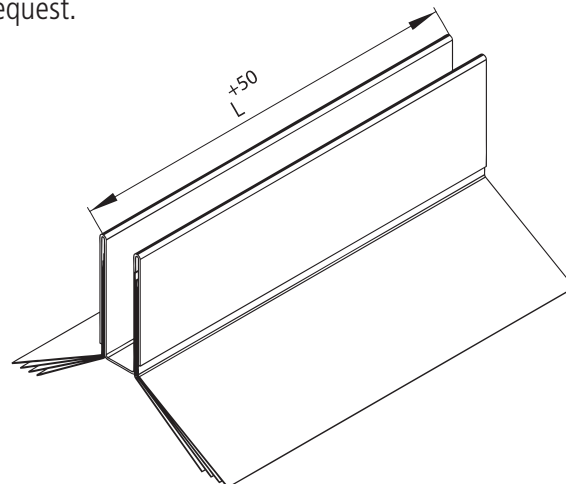
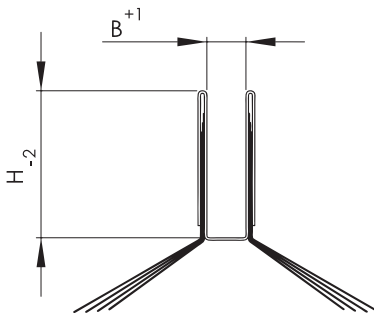
Order example

MMD-BS-H30 B08 L6000

Baffle seal type MMD-BS Standard with the dimensions:

Insertion height H:	30 mm
Baffle width B:	8 mm
Delivery length L:	6.000 mm

Special designs according to your specifications on request.



Möller-Metaldichtungen GmbH | Brunnenweg 10 | 39444 Hecklingen
Tel.: +49 3925 37890-0 | Fax: +49 3925 930037
E-Mail: moeller@moeller-md.de | Internet: www.moeller-md.de