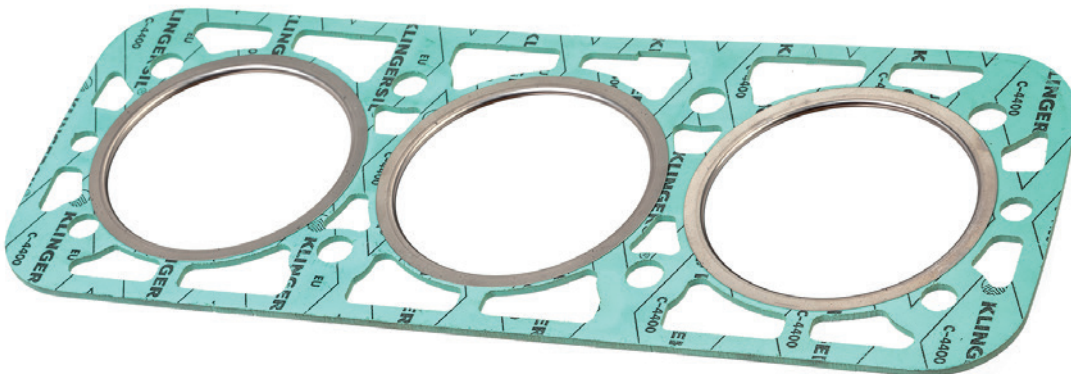
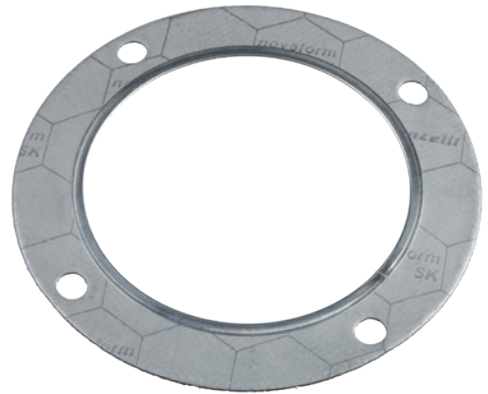


Gaskets with Eyelets

Eyelets - continuous or welded designs



More blow-out safety with eyelets

Standard and Special Flat Gaskets

Gaskets with eyelets are an optimal solution if mechanical or thermal requirements become more demanding on flat gaskets!

Möller Metall-Dichtungen GmbH has years of experience in the production of gaskets with eyelets. In the course of the years special machines and devices have been designed and built to create the perfect eyelets depending on the area of application.

With inner and/or outer eyelets we can produce sealing materials such as:

- graphite qualities
- fiber Qualities
- PTFE qualities
- elastomer qualities
- plastics
- ...

Eyelets - continuous or welded designs

Depending on the gasket size, the inner and outer eyelets can, according to customer request, be manufactured in continuous or welded designs.

Using a laser welding process the ends of the eyelets are butt-welded. This technology guarantees a high quality eyelet, whose strength can be compared with the one of an eyelet in continuous design. Furthermore there is no overlap of the eyelet metal. This ensures a uniform surface pressure and sealing in the flange.

The eyelets are usually made of stainless steel 1.4571 or copper. However, at the request of the customer other metals can be used.

The combination of sealing and eyelet materials is individually tailored according to customer specifications.



Graphite gaskets with inner and outer eyelet



Each gasket shape can be equipped with an eyelet.



Flat gaskets with copper eyelets

Tested quality



The laser welding process guarantees high-quality eyelet joints

With TA-Luft testing

At the customer's request, we can test and certify all gaskets in our own laboratory in accordance with TA Luft.

Test bench for Gasket characteristics

To ensure the reproducible quality of our gaskets, we conduct among other things:

- crush tests,
- leakage tests,
- creep rupture tests,
- creep tests and
- relaxation experiments

in our own test laboratory.



Gasket characteristics are determined on the test bench for calculation and design.



Satisfied customers are our incentive!

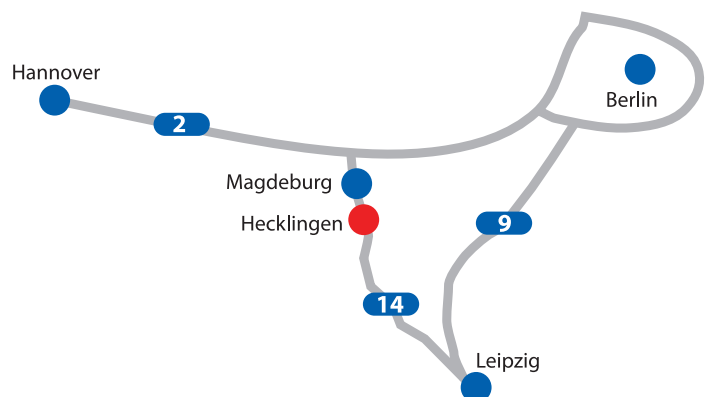
We achieve this, because we are committed to the needs of our consumers, we listen to them and produce exactly the metal gaskets that exactly meet their requirements for pressure, temperature and medium resistance.

Your advantages

- most modern production technologies
- every gasket tested and certified
- technical consulting and training
- all orders shipped within 24 hours
- fast assembly due to high fitting accuracy
- All gaskets are guaranteed Made in Germany!

Use our ...

- experience
- technologies
- designs and calculations
- trainings
- cooperation partners



Möller-Metalldichtungen GmbH | Brunnenweg 10 | 39444 Hecklingen
phone: +49 3925 37890-0 | fax: +49 3925 930037
e-mail: moeller@moeller-md.de | www.moeller-md.de